

Cable Transmission Solutions



Over One Coax Solution

Provides Coaxial / HD & IP CCTV Transmission Solution, such as RG59/RG6



A Division of AAS Technology

Provides UTP Cable Transmission Solution, such as CAT5/CAT6

Who is and ?

- Factory in Taiwan & China with **Quality Test Center – QTC**
- An R&D Dept. in Taiwan & U.S.A.
- Sales offices and warehouses in the U.S.A., Taiwan, and China

AAS Technology was founded to **provide all CCTV cable transmission solutions** to customers as well as offering OEM services that is of high quality and affordable prices. As a stepping stone into the market, AAS Technology acquired UTP Balun and is continuously growing.

R&D Dept. - Q.C. Test Equipment



Factory in Taiwan & China



AAS Tech Products

HD CCTV SDI Series

SDI 1x2 Distribution Amplifier & Extender



SDI to HDMI & CVBS Converter



SDI Extender Over CAT5/6



Transmitter

+



Receiver



PoE or Ethernet Over Coax



IP / PoE, Analog, and PTZ All-in-One Service Tester



3.5" CCTV Service Viewer – Analog Only



Provide 12V DC Power to Camera

All-in-One Carry Bag



UTP Balun Products



Passive Video Balun



Passive Video Balun w/ Power



Video, Audio, Power and Data Transceiver Device + Hub



Active Video Balun



RJ45

Terminal

PC Balun
VGA & USB Extenders



PC Balun
VGA Distributors



Power Converter



24V AC to 12V DC

Weatherproof

12/24V DC to 5V DC 5A
Application: Access Point with Solar

Ground Loop Isolator Filter



Video Distributor



Surge Protector



SD/HD/3G-SDI 1x2 Distribution



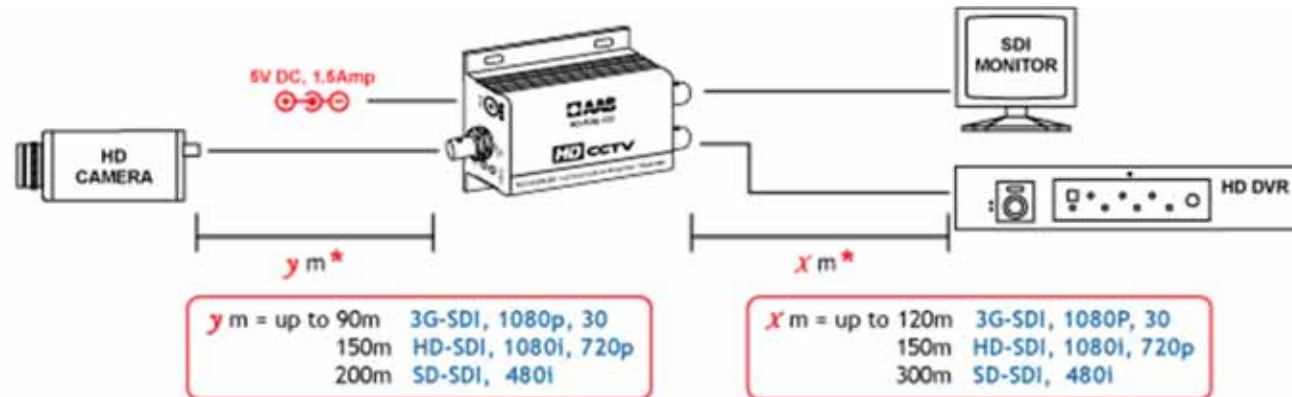
Amplifier & Extender for HD CCTV Solution

- ▶ **HD-SDE-122** SD-1 Non Re-clocking function
- ▶ **HD-SDE-122R** SD-2 Re-clocking function – max. 7 repeater connection

The HD-SDE-122 is specially designed for HD CCTV for Surveillance industry. This Standard is more Economical than Broadcasting industry standards.

Features:

- Max. data rate up to 1485 Mbps
- Signal Type: SMPTE 292M, SMPTE 259M
- Cable equalization (Beldon 1694A) and signal retiming
- 5V DC (HD-SDE-122)
- 5V~24V DC (HD-SDE-122R)



*The distance depends on the quality of the SDI signal from the HD camera source and also the Coax Cable & Connector



SD/HD/3G-SDI Video Extender over **CAT5/6** Kit



▶ HD-SDE-UTPK SD-12

Features:

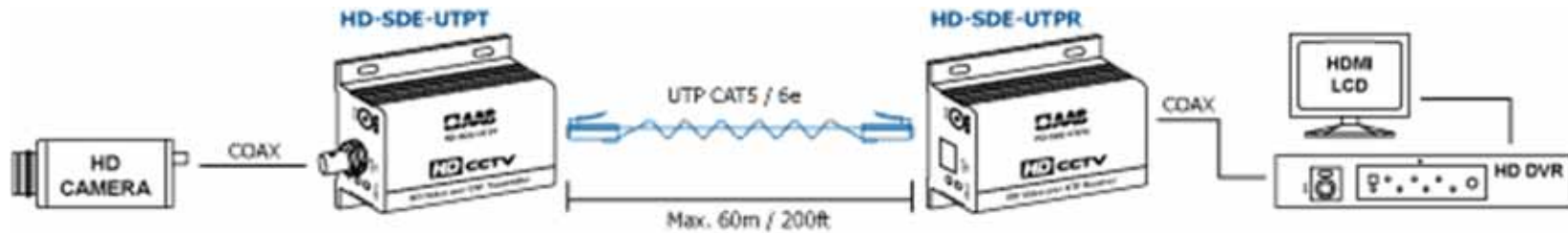
- Max. 60m / 200ft transmission distance
- 5V~24V DC



HD-SDE-UTPT
Transmitter
SD-12a



HD-SDE-UTPR
Receiver
SD-12b



* The distance depends on the quality of the SDI signal from the HD camera source and also the CAT5/6e Cable & RJ45 Jack



SD/HD/3G-SDI Video + Power + Data RS-485 Transmission

Full HD
1080

▶ HD-SDE-VDK SD-6 Kit with Tx and Rx

Features:

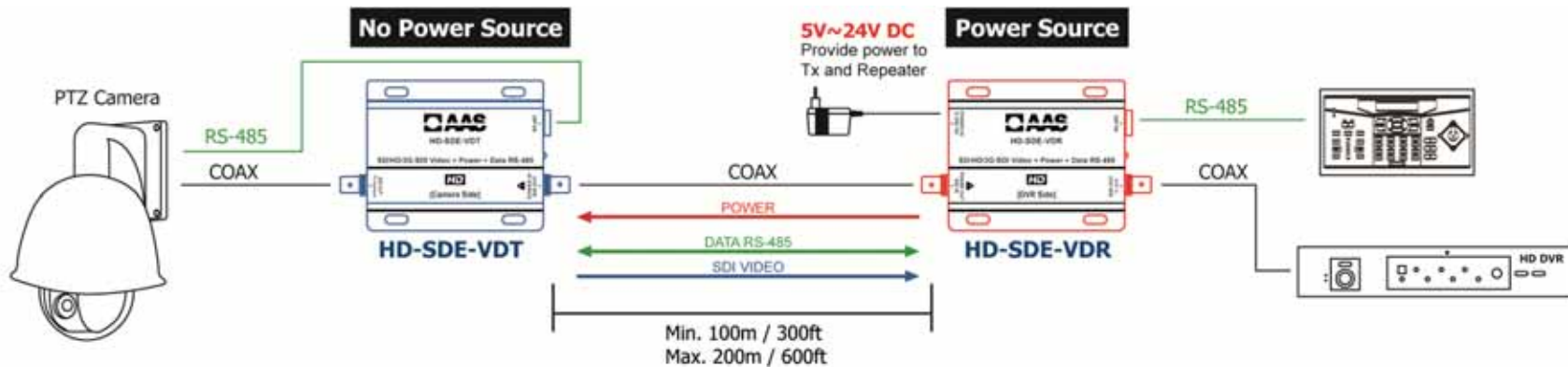
- Data and power can be transmitted from the recorder side to the camera over the coax cable.
- Max. cable length (Belden 1694A): SD-SDI 400m/1300ft, HD-SDI 200m/600ft, 3G-SDI 140m/450ft
- 5V~24V DC



HD-SDE-VDT
Transmitter
SD-6b



HD-SDE-VDR
Receiver
SD-6a



* The distance depends on the quality of the SDI signal from the HD camera source and also the Coax Cable & Connector



Pay careful attention to POWER IN/SDI OUT and POWER OUT/SDI IN when connecting the devices. Wrongful connection will burn the device.

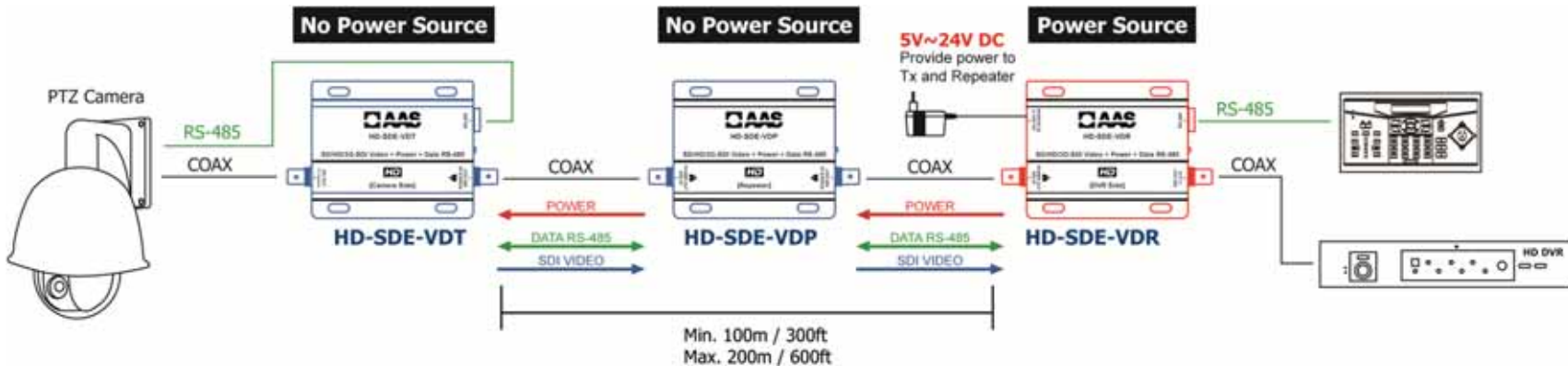


Repeater for SD/HD/3G-SDI Video + Power + Data RS-485 Transmission

▶ HD-SDE-VDP SD-7

Features:

- Data and power can be transmitted from the recorder side to the camera over the coax cable.
- Up to **7 repeaters** may be powered from the coax cable (*Requires 24V DC to power 2+ repeaters & Tx*)
- Max. cable length (Belden 1694A): SD-SDI 400m/1300ft, HD-SDI 200m/600ft, 3G-SDI 140m/450ft
- 5V~24V DC



* The distance depends on the quality of the SDI signal from the HD camera source and also the Coax Cable & Connector



Pay careful attention to POWER IN/SDI OUT and POWER OUT/SDI IN when connecting the devices. Wrongful connection will burn the device.



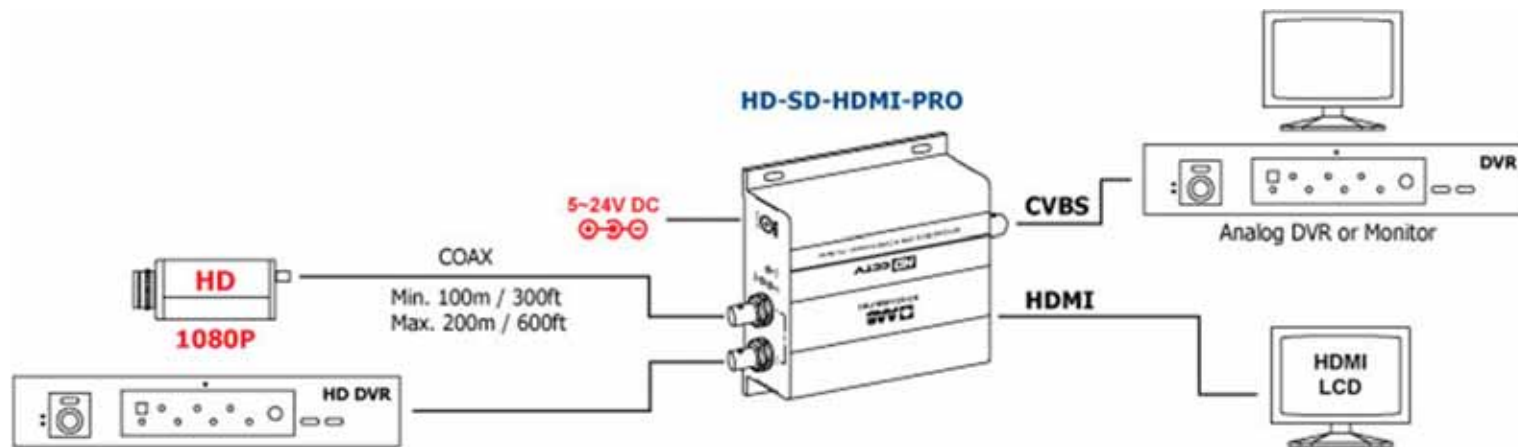
SD/HD/3G-SDI to HDMI & CVBS Converter

Full HD
1080

▶ HD-SD-HDMI-PRO

Features:

- Signal Type: SMPTE 425M (A level and B level), 424M, 929M, 259M-C
- Max. cable length (Belden 1694A): SD-SDI 400m/1300ft, HD-SDI 200m/600ft, 3G-SDI 140m/450ft
- User selectable output format HDMI or CVBS
- 5V~24V DC



** The distance depends on the quality of the SDI signal from the HD camera source and also the Coax Cable & Connector*

Ethernet over Coax Extender

▶ **EOC-100K: 10/100Mbps** N-3

For High Megapixel Resolution IP Camera

▶ **EOC-10P: 10Mbps** N-4

For VGA Resolution IP Camera, No Power Required



EOC-100-D
N-3b



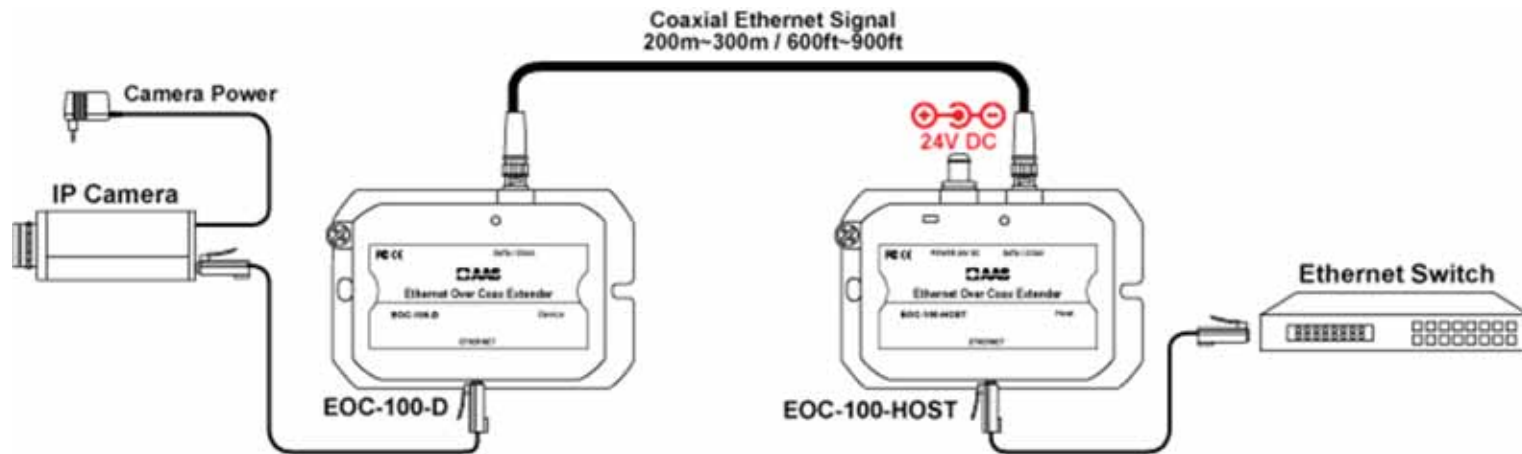
EOC-100-HOST
N-3a



EOC-10
N-4a



EOC-10
N-4a



**Also available for PoE over Coax Extenders*

POEOC-15K



**Network IP
Over Coax**

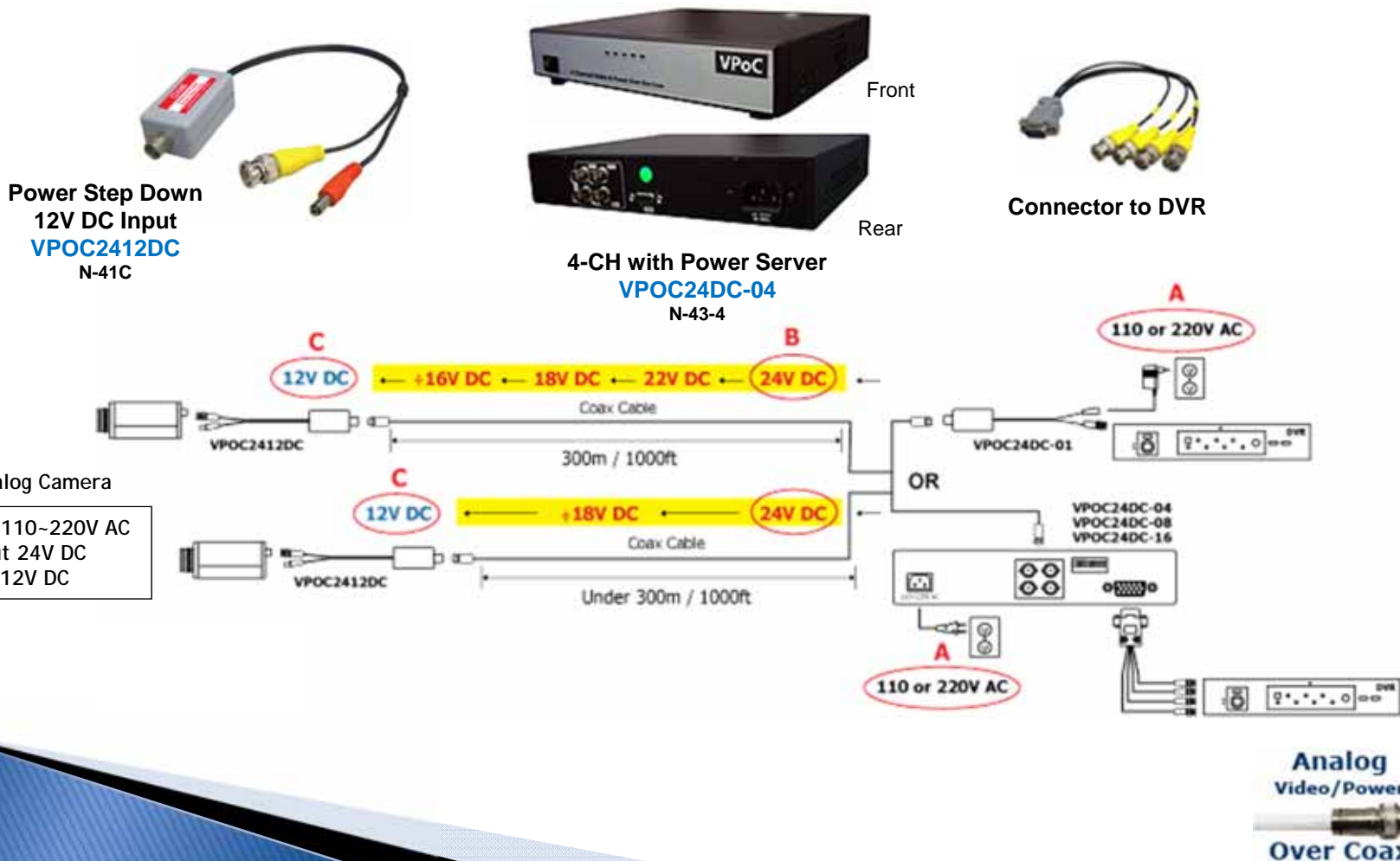
Video & Power Over One Coax

For Analog Camera VPOC

- ▶ Can run Coax Cable up to 600m / 2000ft without power drop.
- ▶ Easy to upgrade to PTZ camera with existing 18/2 power wire to become data RS485

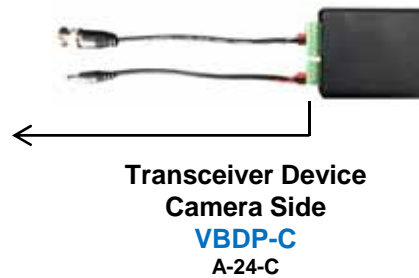
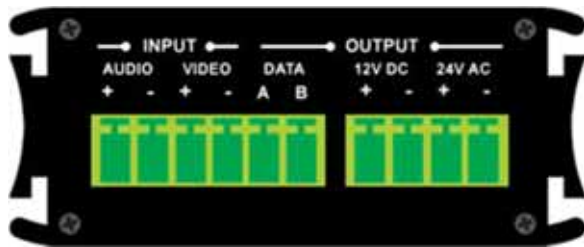
No need to worry about power drop for long cable run!

1-CH, 8-CH, 16-CH also available



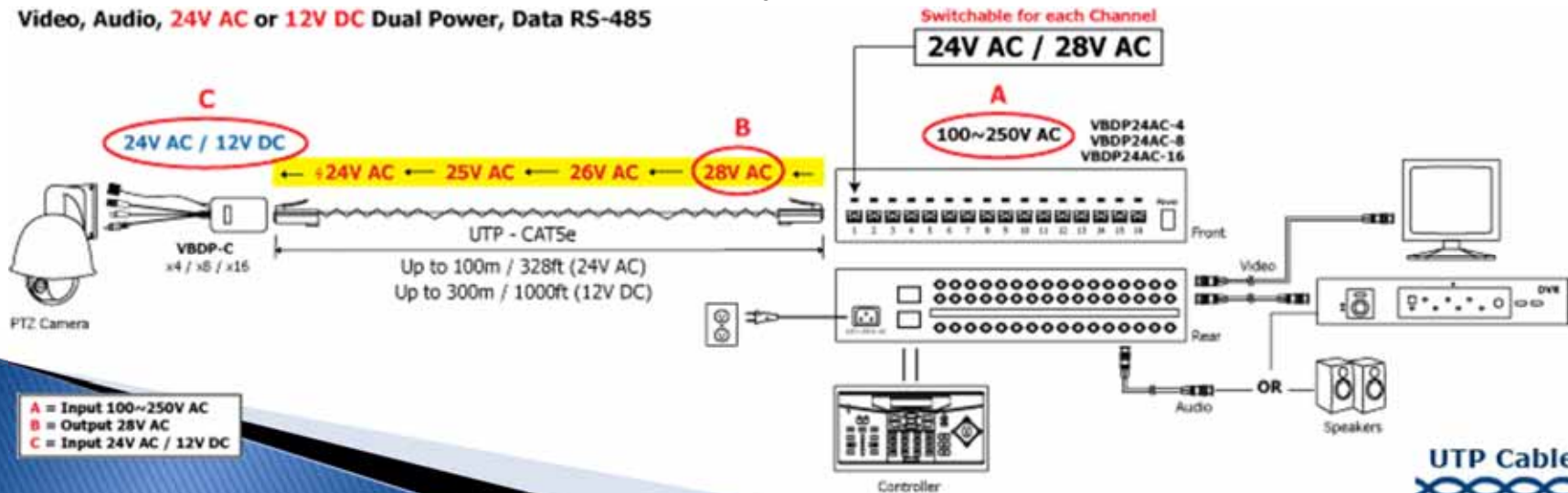
Video, Audio, Power, and Data Transceiver Device + Hub

- ▶ 4 / 8 / 16 channel transceiver hubs allow transmission of CCTV video, audio, data, and 24V AC/12V DC power with one UTP cable
- ▶ Transceiver Device (camera side) receives up to 100m / 328ft (24V AC output); up to 300m / 1000ft (12V DC output)



16-CH Transceiver Hub
VBDP24AC-16-120
A-27HD-16-120

Video, Audio, 24V AC or 12V DC Dual Power, Data RS-485



IP / PoE, Analog, and PTZ Camera All-in-One Service Tester

▶ LCDA-1 T-83

Features:

- All-in-one touch screen
- 3rd Party IPCAM support (ONVIF, AXIS, Vivotek, ACTi, Sony, Panasonic, Arecont Vision, and more)
- Embedded GPS for accurate location
- PoE measurement : current, voltage
- High power PoE support (25.5W)
- CGI command configuration
- Bandwidth calculation



3.5" CCTV Service Viewer – Analog Only

▶ **LCD35SV** T-82

The only service monitor that provides 12V DC power to the camera which makes troubleshooting easier!

Features:

- PAL / NTSC standard auto detection
- Display format 320 RGB x 240
- Provide power to 12V DC camera
- 6 hrs long operation time
- Audio & Video input
- Lithium Battery: 3.7V DC, 2200mA

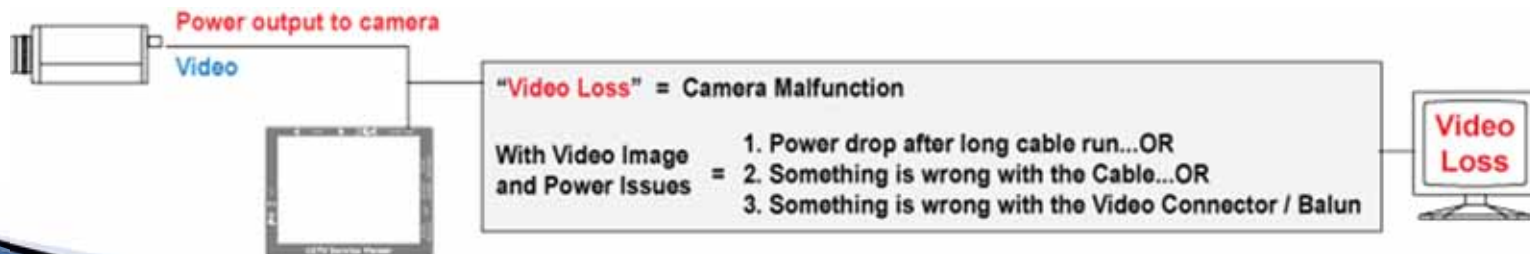
Your Logo on Boot Screen
 - 4 seconds
 - MOQ 50



The Best Quality of Major Components extends the life span of this product.

TFT LCD Module **Made in Taiwan** by ChiMei

Rechargeable Lithium Battery **Made in Japan** by Sanyo
 Assembled & Made in China



Analog

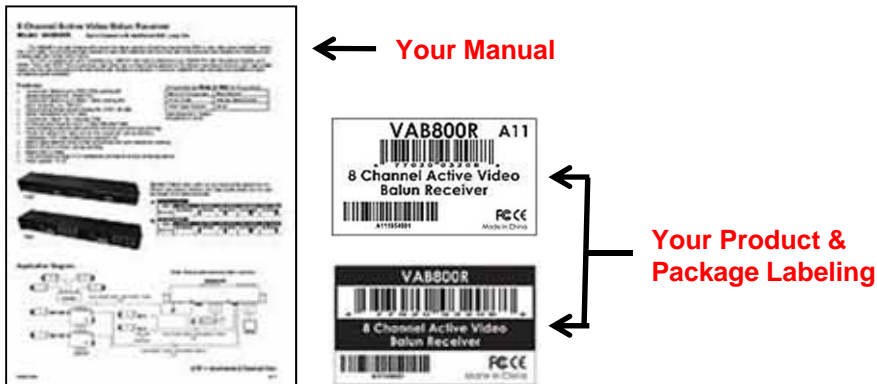
OEM & Marketing

YES, we can help you!
 Just let us know what you need
 and we'll do our best!

Branded Products



Manual, Sticker & Diagram Designs



Note: We will need your help to translate the English manual to your language.

SecuTech Expo 2012 in Taipei, Taiwan



Other marketing materials available upon request

Forming Partners:
 We intend to have one partner in each country to act as an exclusive agent.

Contact Us

We are seeking for OEM Partners & Distributors in each country's nation.

Website: www.aas.com.tw | www.utpbalun.com

E-mail: sales@aas.com.tw

Taiwan : (866) 70-1080-6868 | **U.S.A.:** (01) 510-931-779

**The best way to contact us is via e-mail.*

**Factory and R&D Dept.
Taipei, Taiwan**

160-1 Guiyang St Sec 2
4 Fl, Taipei, Taiwan

**Factory and R&D Dept.
ShenZhen, China**

Founder Science
&Technology Park, Baoan
District, Shenzhen, China

**U.S.A. Marketing & Warehouse
California. USA**

5500 Stewart Ave.
Fremont, CA 94538



Warehouse in U.S.A.