

16CH Passive HD Video UTP Transceiver – TVI, CVI, AHD, CVBS

Model: AAS-VPH-1600

The 16ch passive HD (non-amplified) video UTP transceiver allows transmission of realtime and high-performance color or monochrome (B/W) CCTV video or HD TVI / HD CVI / AHD HD video over UTP cable. The device is 1U rack-mountable, perfect for multi-point surveillance.

Features

- Passive, no need of power supply
- HD TVI / HD CVI / AHD / CVBS 4 in 1 Compatible design; Real-time transmission, no delay
- Recommendation transmission distance as below:
 - 1) HD TVI 720p/1080p: 200m/650ft (passive to passive)
 - 2) HD CVI 1080p: 100m/300ft ; HD CVI 720P: 370m/1200ft (passive to passive)
 - 3) AHD-L/M 720p/960p: 330m/1050ft; AHD-H 1080p: 330m/1050ft (passive to passive)
 - 4) Analog video: 500m/1600ft (passive to passive)
- RJ45 or green terminal block to be chosen to connect UTP cable
- Plug and play, simple installation
- Strong surge protection and interference rejection
- Compact ID design; 1U(19') rack mountable

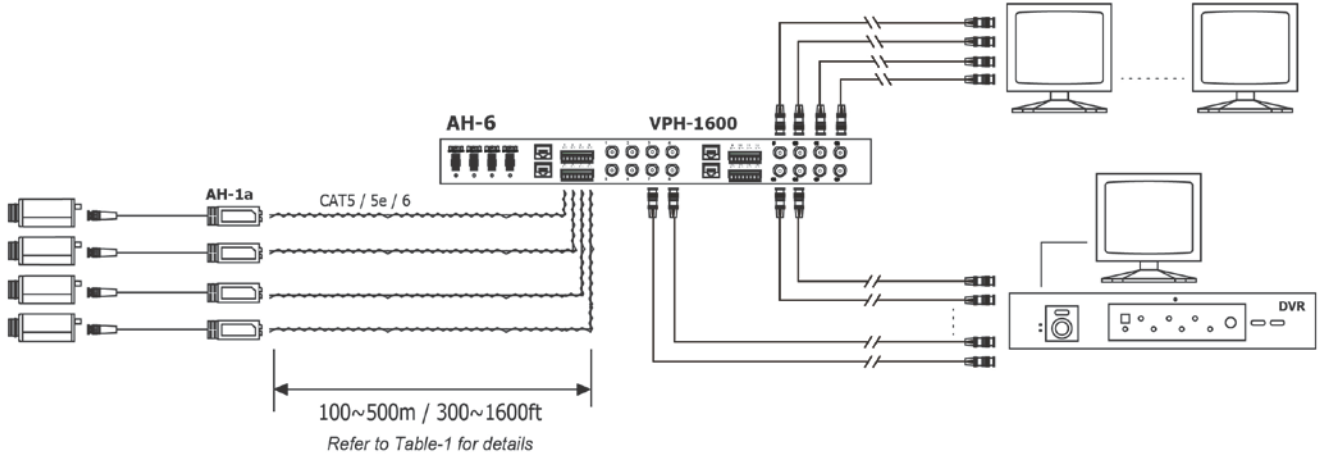


Package Contents

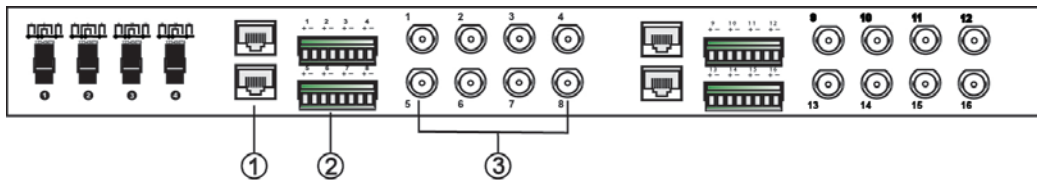
1. One (1) 16CH Passive HD Video UTP Transceiver
2. One (1) Accessory Packet (Screws, pads, rackmount ears)
3. One (1) User Manual

For any returns, please include all components listed above with original packaging in **Resalable Condition**. **Absolutely No Returns** will be accepted if any component is missing/damaged.

Application Diagram



Panel View



NO.	Component	Description
1	RJ45	Please refer to "How to make RJ45 plug"
2	8 pin Green Terminal Block	To connect UTP cable directly
3	BNC-F	For video input

*Note: Choose 1 or 2

Installation

1. Make sure any signal source (camera) and/or monitor/DVR are turned off during installation.
2. Connect cameras with transmitter via BNC cable.
3. Connect DVR with it via BNC cable.
4. Connect transmitter and receiver via UTP cable.
5. Check whether installation is good and power the device(s).
6. Power camera, DVR, monitor, etc.

Specification

Model		AAS-VPH-1600
Transmission & Video Properties	Transmission Channel	16 Channels
	Video Connector	BNC-F
	Transmission Distance	Refer to 'Table 1' below
	Compatible Video Format	HD TVI, HD CVI, AHD / PAL, NTSC, SECAM
	UTP Cable Connector	Female RJ45 Connector 8 Pin Green Terminal Block
	Signal Transmission Band	0~70MHz
	Anti-interference	>60dB
Protection Level	Coaxial Video Connector Surge	2KV per : IEC61000-4-5
	UTP Cable Communication Connector Surge Protection	2KV (different mode) per:IEC61000-4-5
	ESD	Contact Discharge: 6000V Air Discharge: 8000V Per: IEC61000-4-2
Operation Environment	Operation Temperature	0°C~50°C / 32°F~122°F
	Storage Temperature	-40°C~85°C / -40°F~185°F
	Humidity	0~95%
Physical Properties	Dimension (L x W x H)	430 x 100 x 44.5 mm / 16.9 x 3.9 x 1.7 inches
	Housing Material	Iron Metal
	Color	Black
	Net Weight	1.18 kg / 2.6 lbs

*Specifications are subject to change without notice

Table-1**:

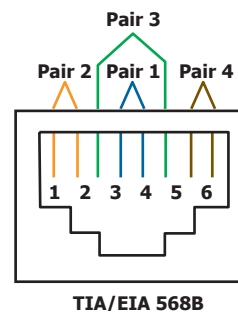
Single Source	HD TVI (720P/1080P)	HD CVI (720P)	HD CVI (1080P)	AHD-L/M (720P/960P)	AHD-H (1080P)	Analog Video
Recommended Distance	200m / 650ft	370m / 1200ft	100m / 300ft	330m / 1050ft	330m / 1050ft	500m / 1600ft

**The test data in Table 1 is required under lab environment by passive to passive. In actual case, there may be some differences due to different cable and environment.

Troubleshooting

If the equipment fails, follow the methods below to troubleshoot.

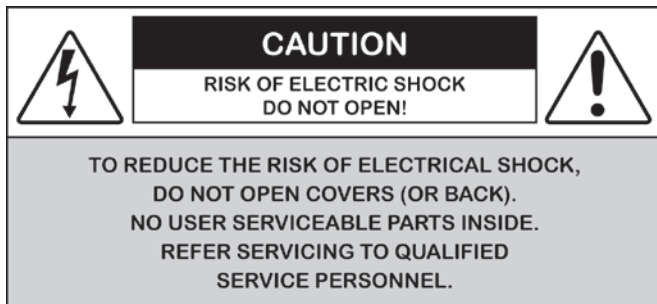
- Make sure equipment installation is according to the manual.
- If RJ45 is chosen, make sure both ends of UTP cable are the same (both 568A or both 568B).
- If green terminal block is chosen, make sure the same colored cable are in the same pin.
- Maximum transmission distance depends on the quality of the signal source and the transmission cable. Do not exceed the equipment maximum transmission distance.
- Check whether connection is correct. Charge the device when there is no image.
- Replace VPH1600 to see if failed device is defective.



Pin	Pair	Color
1	2	Orange / White
2	2	Orange
3	3	Green / White
4	1	Blue
5	1	Blue / White
6	3	Green
7	4	Brown / White
8	4	Brown

LIMITED ONE (1) YEAR WARRANTY AND EXCLUSIONS

Manufacturer warrants to the original consumer purchaser and not for the benefit of anyone else that this product at the time of its sale by Manufacturer is free of defects in materials and workmanship under normal and proper use for one (1) year from the purchase date. Manufacturer's only obligation is to correct such defects by repair or replacement, at its option, if within such one (1) year period the product is returned prepaid, with proof of purchase date, and a description of the problem. This warrant excludes and there is disclaimed liability for labor for removal of this product or reinstallation. **This warranty is voided if this product is installed improperly or in an improper environment, overloaded, misused, opened, abused, or altered in any manner, or is not used under normal operating conditions or not in accordance with any labels or instructions. There are no other implied warranties of any kind, including merchantability and fitness or a particular purpose, but if any implied warranty is required by the applicable jurisdiction, the duration of any such implied warrant, including merchantability and fitness of or a particular purpose, is limited to one (1) year. Manufacturer is not liable for incidental, indirect, special, or consequential damages, including without limitation, damage to, or loss of use of, any equipment, loss sales or profits or delay or failure to perform this warranty obligation.** The remedies, provided therein are the exclusive remedies under this warranty, whether based on contract, tort or otherwise.



Disposal of Old Electrical & Electronic Equipment (Applicable in the European Union and other European countries with separate collection systems).

This symbol on the product or on its packaging indicates that this product shall not be treated as household waste. Instead it shall be handed over to the applicable collection point for the recycling of electrical and electronic equipment. By ensuring this product is disposed of correctly, you will help prevent potential negative consequences for the environment and human health, which could otherwise be caused by inappropriate waste handling of this product. The recycling of materials will help to conserve natural resources. For more detailed information about recycling of this product, please contact your local city office, your household waste disposal service or the shop where you purchased the product.



Caution

This product has been tested for conformance to safety regulations and requirements. However, like all electronic equipment, this product should be used with care. Please read and follow the safety instructions to protect yourself from possible injury and to minimize the risk of damage to the unit.

1. Handle this product with care

Avoid any shock or bumping of the product. Improper handling could damage the product. Do not handle the unit with wet hands. Provide proper ventilation and air circulation and do not use near water.

2. Requires a proper operating environment

This product is not waterproof and is designed for indoor use. The allowable temperature range for operation of this product is between 0°C~50°C / 32°F~122°F.

3. Check the power source voltage

The power source voltage should be within the specified range. (Product must meet the specifications).

4. Objects and liquid entry

Never push objects of any kind into this product as this may touch dangerous voltage points of short out parts that could result in a fire or electric shock. Never spill any kind of liquid on the product.

5. Cleaning

Do not use liquid or aerosol cleaners to clean this unit. Always unplug the power to the device before cleaning.

6. Servicing

Do not attempt to service this product by yourself as opening or removing covers may expose you to dangerous voltage or other hazards. Refer all service to qualified servicing personnel.



MADE IN CHINA