

User Manual – Data Sheet

PoE Over Coax Extender Kit

PoEoC-15K

PoEoC-15-HOST



Host Unit - PSE Side

PoEoC-15-D



Device Unit - PD Side

By using RF technology, this kit can extend the transmission distance of power and Ethernet signal up to 200~300m / 600ft~900ft over coaxial cable. The PoE power and signal from PoE switch or PoE injector is fed into the **Powered Sourcing Equipment (PSE)**, **PoEoC-15-HOST**, and transmitted over coaxial cable. The **Powered Device (PD)**, **PoEoC-15-D**, receives the signal and power from coaxial cable and converts it back to a PoE interface. This solution allows users to provide 200~300m / 600ft~900ft PoE link with a simple, reliable and cost-effective method.

Features

- Extend PoE signal over coax
- 10/100Mbps / Full duplexer
- 15W af
- Coax cable: RG59 video-grade coaxial cable or better
- Extend the transmission distance of power and Ethernet signal up to 200~300m / 600~900ft
- Allow you to save money by using existing coax cable
- BNC connector / RJ45
- Passive, no power required



Please read the Manual before attempting to use this product.
Specifications and appearance are subject to change without notice.



CAUTION

RISK OF ELECTRIC SHOCK
DO NOT OPEN!



TO REDUCE THE RISK OF ELECTRICAL SHOCK,
DO NOT OPEN COVERS (OR BACK).
NO USER SERVICEABLE PARTS INSIDE.
REFER SERVICING TO QUALIFIED
SERVICE PERSONNEL.



Disposal of Old Electrical & Electronic Equipment (Applicable in the European Union and other European countries with separate collection systems).

This symbol on the product or on its packaging indicates that this product shall not be treated as household waste. Instead it shall be handed over to the applicable collection point for the recycling of electrical and electronic equipment. By ensuring this product is disposed of correctly, you will help prevent potential negative consequences for the environment and human health, which could otherwise be caused by inappropriate waste handling of this product. The recycling of materials will help to conserve natural resources. For more detailed information about recycling of this product, please contact your local city office, your household waste disposal service or the shop where you purchased the product.



Caution

..

1. Handle this product with care

Avoid any shock or bumping of the product. Improper handling could damage the product. Do not handle the unit with wet hands. Provide proper ventilation and air circulation and do not use near water.

2. Requires a proper operating environment

This product is not waterproof and is designed for indoor use. The allowable temperature range for operation of this product is between $-0^{\circ}\text{C}\sim 40^{\circ}\text{C}$ / $32^{\circ}\text{F}\sim 104^{\circ}\text{F}$.

3. Objects and liquid entry

Never push objects of any kind into this product as this may touch dangerous voltage points of short out parts that could result in a fire or electric shock. Never spill any kind of liquid on the product. Keep away the objects that might damage the device and assure that the placement of this unit is on a stable surface.

4. Cleaning

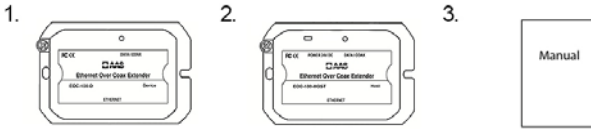
Do not use liquid or aerosol cleaners to clean this unit. Always unplug the power to the device before cleaning.

5. Servicing

Do not attempt to service this product by yourself as opening or removing covers may expose you to dangerous voltage or other hazards. Refer all service to qualified servicing personnel.

Package Contents

1. One (1) PoE Over Coax Extender Device Unit
2. One (1) PoE Over Coax Extender Host Unit
3. One (1) Manual – Data Sheet



* For any returns, please include all components listed above with original packaging in **Resalable Condition**. **Absolutely No Returns** will be accepted if any component is missing/damaged.

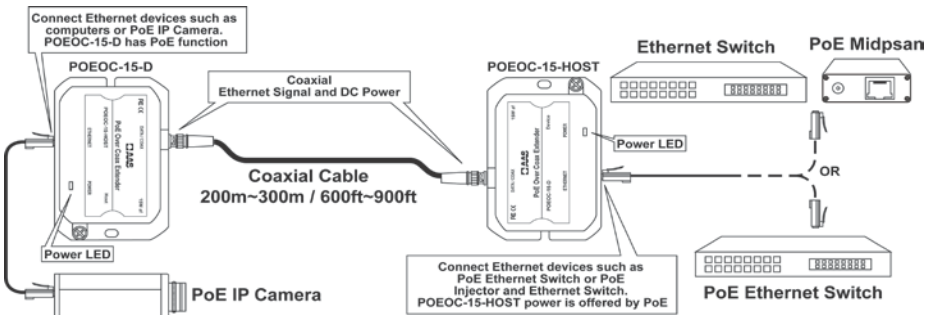
Installation

1. First, plug the **PoEoC-15-D** network connector into the Ethernet port on your IP Camera.
2. Connect a coaxial cable between the **PoEoC-15-HOST** and the **PoEoC-15-D**.
3. Connect **PoEoC-15-HOST** Ethernet cable into the Ethernet port on your PoE Ethernet Switch or PoE Injector and Ethernet Switch.

LED Status:

A green solid light indicates a proper connection to the power supply.

Application Diagram



Technical Specifications

..

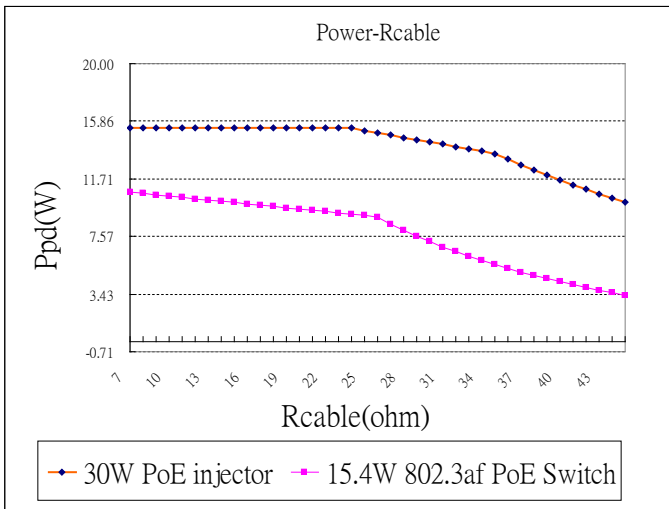
Kit Model		PoEoC-15K	
Model		PoEoC-15-HOST	PoEoC-15-D
Unit Type		Host Unit – PSE Side	Device Unit – PD Side
Interface	Data + Power Port	1x RJ-45 female connector (IN)	1x RJ-45 female connector (OUT)
	Data + Power Port	1x Female BNC (OUT)	1x Female BNC (IN)
	Cable	RG6/RG11/RG59 video-grade coaxial cable (used for CATV)	
Electrical	Standard	IEEE 802.3af	
	Speed	10/100Mbps for full duplexer	
	Ethernet Cable	<= 100m / 328ft UTP cable at PoEoC-15-HOST <= 100m / 328ft UTP cable at PoEoC-15-D	
	Transmission Distance	300m / 900ft @ RG6 coaxial cable 300m / 900ft coax cable + 100m / 328ft UTP cable	
Power	Powered by PoE	YES	
	Input Operating Voltage	42~57V DC @ RJ45 female connector	37~57V DC @ BNC Female connector
	Output Voltage	40~56V DC @ BNC Female connector	36~56V DC @ RJ45 female connector
	Remote Powering Ability	---	Max. 15.4W
	Power Consumption	<= 2.5W	
Environment	Operating Temperature	-10°C ~ +60°C / 14°F ~ 140°F	
Physical Properties	Enclosure Material	Aluminum alloy	
	Mounting	Wall mounting available	
	Dimension WxHxD	112 x 31.5 x 72 mm / 4.4 x 1.2 x 2.8 inches	

*Specifications are subject to change without notice

⚠ WARNING – Do not apply power to the device unit. You will damage the unit and void warranty!

Symptom	Solution
LED light does not have solid green light	Make sure you are using the correct type of power adapter and that it is properly plugged into the power outlet and into the PSE side unit. Also make sure that the coax is properly connected to the PoE PD side.
LED light is "ON" for both units but does not blink	<ol style="list-style-type: none"> 1. Make sure the Ethernet cable is properly connected to the units on both ends. 2. Make sure the PoE equipment on the PSE side is turned on, connected and rated high enough to power your PoE device.
Speed is not what I expected	Make sure you are using the correct rated cable and for maximum performance (See technical specifications)

Fig. 1 Maximum PD Power VS Cable DC Resistance



1. Use 30W PoE power injector for testing.
2. 15.4W 802.3af SW: Standard POE Switch, 48V/375mA
3. Cable DC Resistance = DC Resistance of Cable Inner conductor + DC Resistance of Cable Shield
4. Typically, regular resistance of RG6 is 13 Ω per 100m / 300ft
5. Typically, regular resistance of RG59 is 17 Ω per 100m / 300ft
6. Typically, regular resistance of RG11 is 4.9 Ω per 100m / 300ft
7. Resistance of Low resistance RG6 is 3.7 Ω per 100m / 300ft
8. Resistance of Low resistance RG11 is 2.4 Ω per 100m / 300ft
9. DC cable resistance should include LAN UTP cable, 10 Ω per 100m / 300ft (for standard PoE interface, CAT5e)

Fig. 2 Data Transmission (RG6)

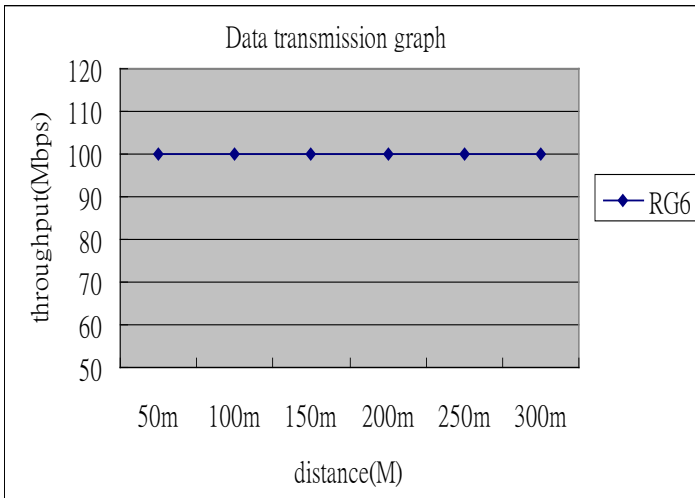
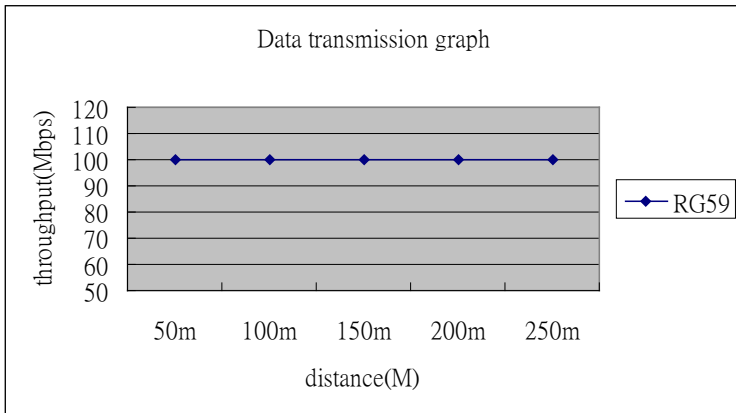


Fig. 3 Data Transmission (RG59)



LIMITED ONE (1) YEAR WARRANTY AND EXCLUSIONS

Manufacturer warrants to the original consumer purchaser and not for the benefit of anyone else that this product at the time of its sale by Manufacturer is free of defects in materials and workmanship under normal and proper use for one (1) year from the purchase date.

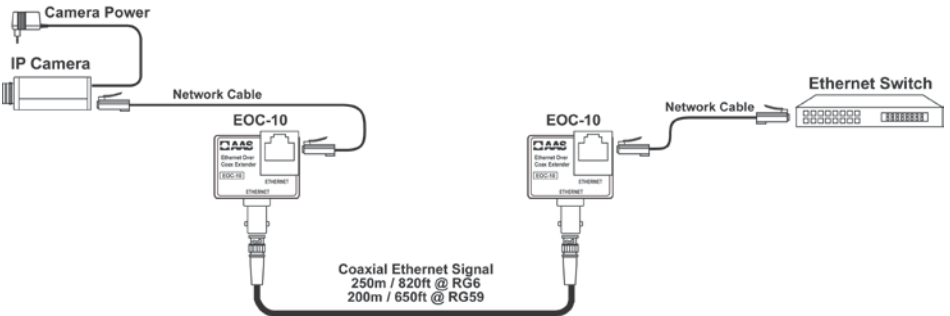
Manufacturer's only obligation is to correct such defects by repair or replacement, at its option, if within such one (1) year period the product is returned prepaid, with proof of purchase date, and a description of the problem. This warrant excludes and there is disclaimed liability for labor for removal of this product or reinstallation. This warranty is void if this product is installed improperly or in an improper environment, overloaded, misused, opened, abused, or altered in any manner, or is not used under normal operating conditions or not in accordance with any labels or instructions. **There are no other implied warranties of any kind, including merchantability and fitness or a particular purpose**, but if any implied warranty is required by the applicable jurisdiction, the duration of any such implied warranty, including merchantability and fitness of or a particular purpose, is limited to one (1) year. **Manufacturer is not liable for incidental, indirect, special, or consequential damages, including without limitation, damage to, or loss of use of, any equipment, loss sales or profits or delay or failure to perform this warranty obligation.** The remedies, provided therein are the exclusive remedies under this warranty, whether based on contract, tort or otherwise.

www.AAS.com.tw

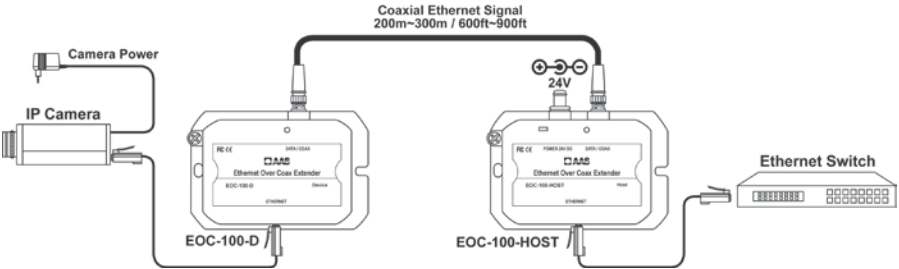
Related Products

..

Ethernet Over Coax Extender -10Mbps EoC-10P

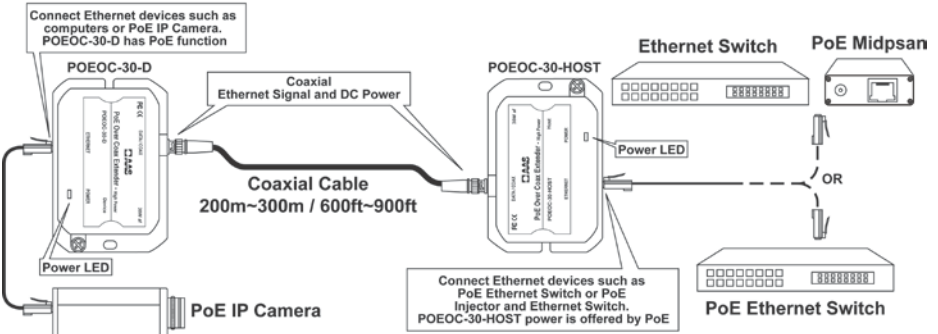


Ethernet Over Coax Extender Kit – 10/10Mbps EoC-100K



High Power PoE Over Coax Extender Kit PoEoC-30K

**** COMING SOON! ****



POEOC-15K

MADE IN TAIWAN