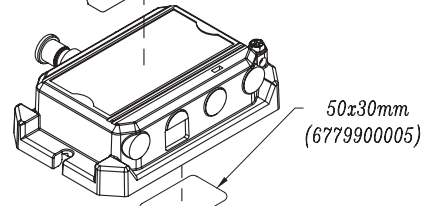
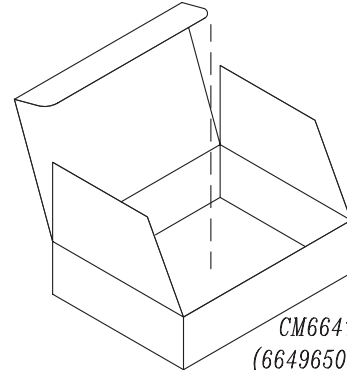


POE0C-15K

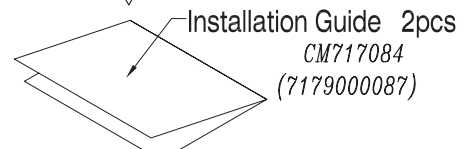
6789602007 &
6789602008



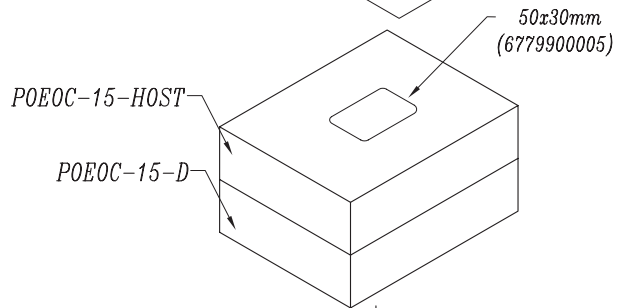
50x30mm
(6779900005)



CM664127
(6649650058)
114*88*35mm



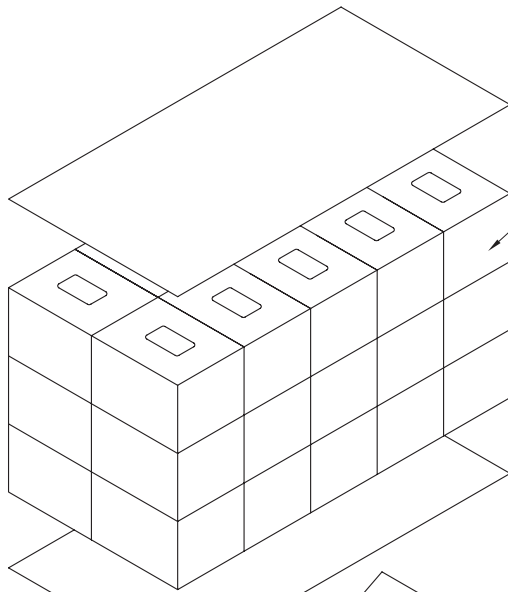
Installation Guide 2pcs
CM717084
(7179000087)



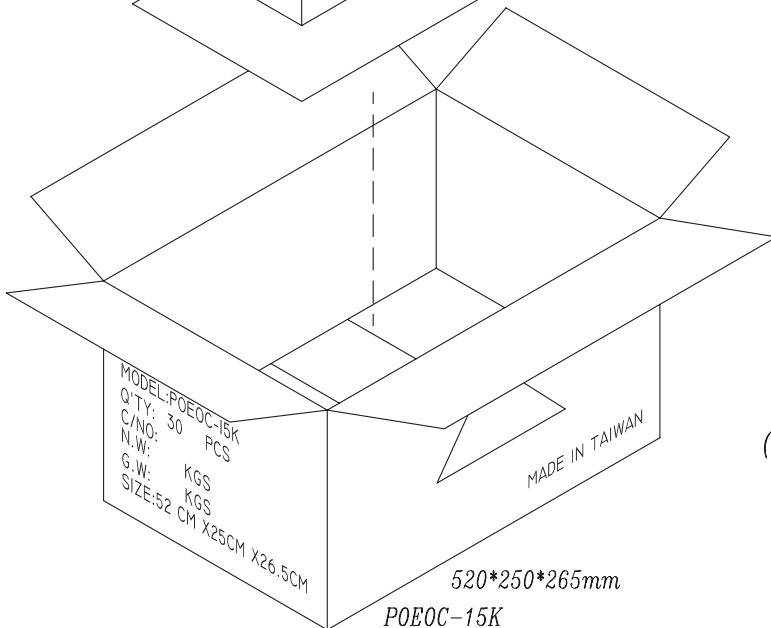
POE0C-15-HOST

POE0C-15-D

50x30mm
(6779900005)



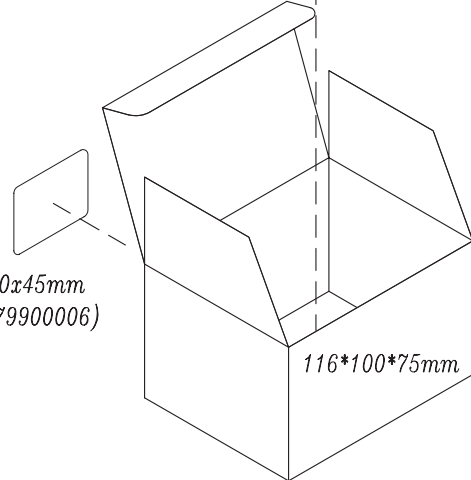
2*5=10PCS(Layer)
TOTAL: 30PCS



MODEL:POE0C-15K
QTY: 30 PCS
C/NO: 30
N.W: KGS
G.W: KGS
SIZE:52 CM X25CM X26.5CM

MADE IN TAIWAN

520*250*265mm
POE0C-15K
CM670314 (6709607195)



60x45mm
(6779900006)

116*100*75mm

CM664167 (6649650080)