

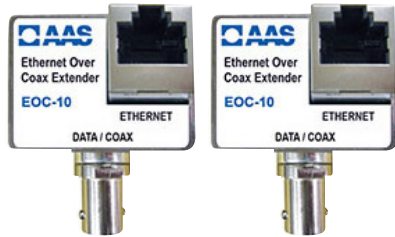
# EOC-10P

Product Name:

Ethernet over Coax Extender Kit

N-4

Top



Bottom



**Product Sticker Size**  
00mm(W) x 20mm(H)  
1.18"(W) x 0.787"(H)

**Example**



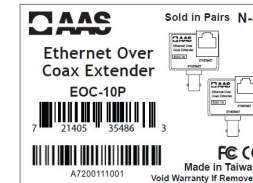
Box - 90.3x55x35mm, 113g /0.25 lb.



**Box Description Sticker Size**  
60mm(W) x 45mm(H)  
2.3622"(W) x 1.772"(H)

*\*Placed on top of box*

**Example**

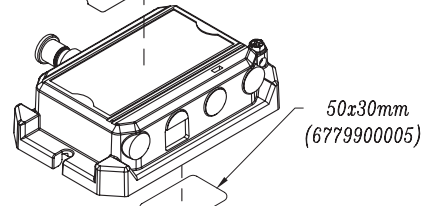


Packaging Contents

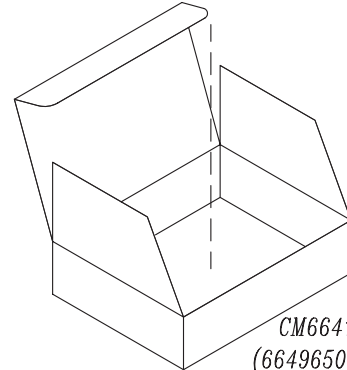


# POE0C-15K

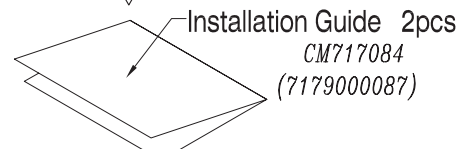
6789602007 &  
6789602008



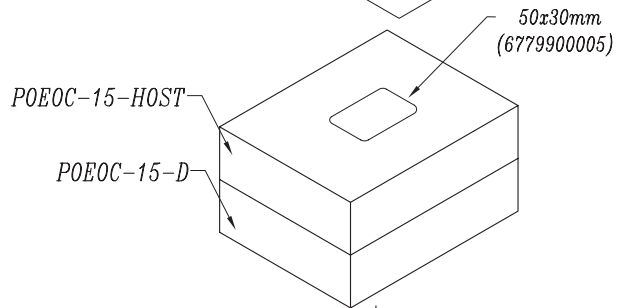
50x30mm  
(6779900005)



CM664127  
(6649650058)  
114\*88\*35mm



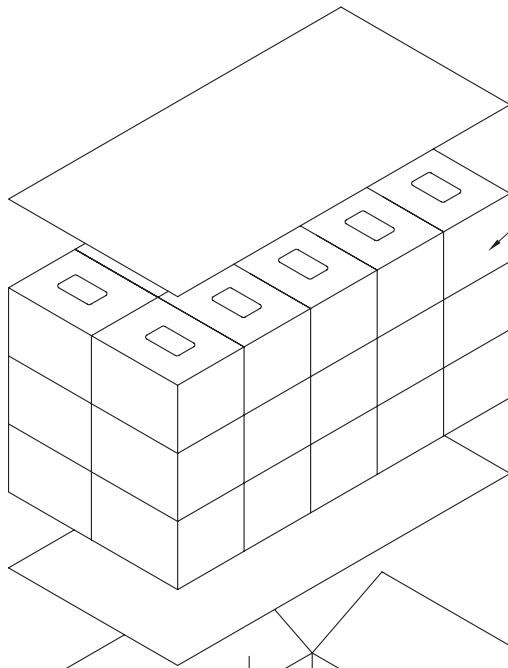
Installation Guide 2pcs  
CM717084  
(7179000087)



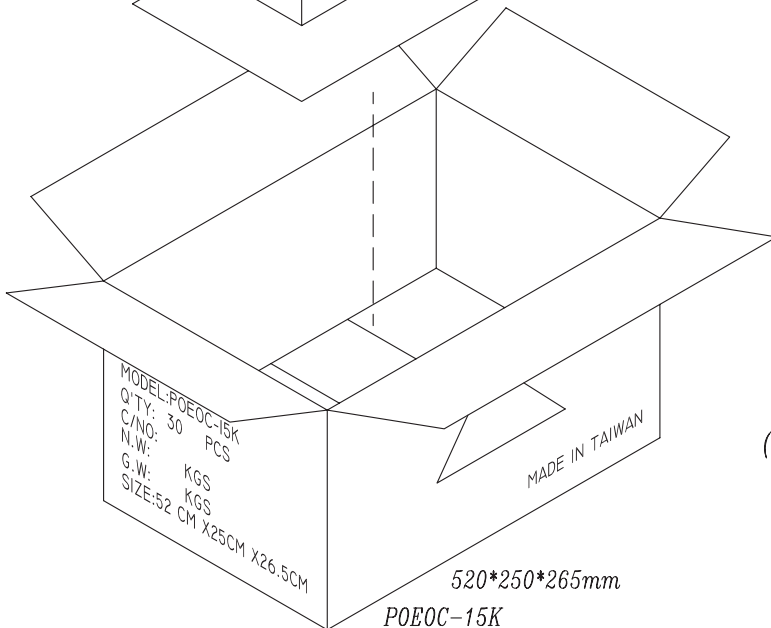
POE0C-15-HOST

POE0C-15-D

50x30mm  
(6779900005)



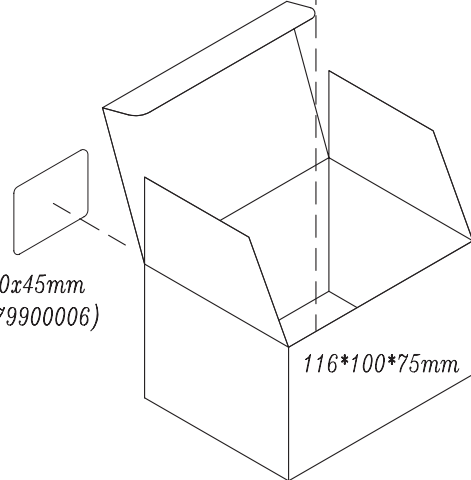
2\*5=10PCS(Layer)  
TOTAL: 30PCS



MODEL:POE0C-15K  
QTY: 30 PCS  
C/NO: 30  
N.W: KGS  
G.W: KGS  
SIZE:52 CM X25CM X26.5CM

MADE IN TAIWAN

520\*250\*265mm  
POE0C-15K  
CM670314 (6709607195)



60x45mm  
(6779900006)

116\*100\*75mm

CM664167 (6649650080)